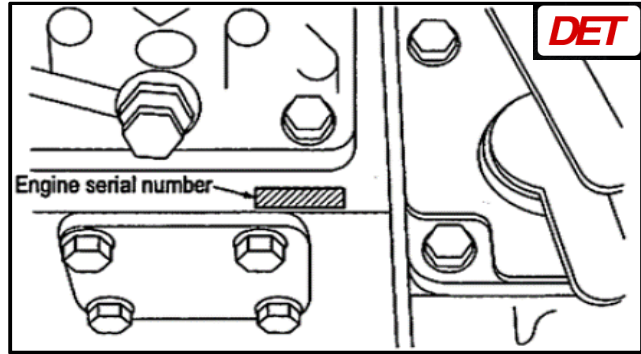


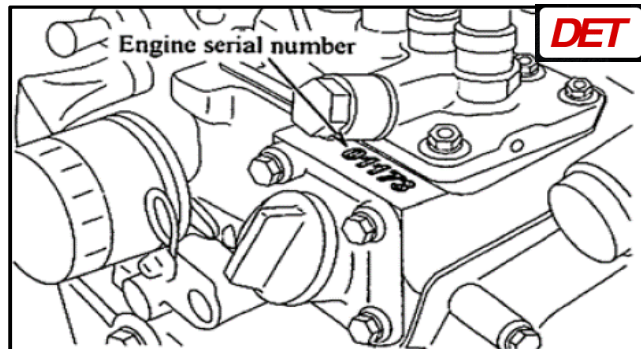
LE- series

the engine serial number is stamped on the injection pump mount, upper side of tie rod cover, of the cylinder block.



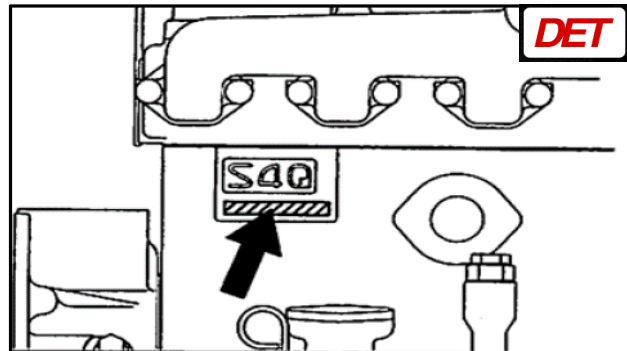
SL- series

the engine serial number is stamped on the top face of the fuel injection pump bracket on the right-hand side of the cylinder block.



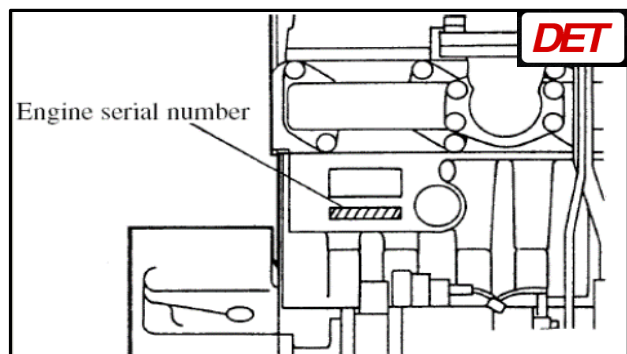
SQ - series

the engine serial number is stamped on the side of the crankcase.



SS - series

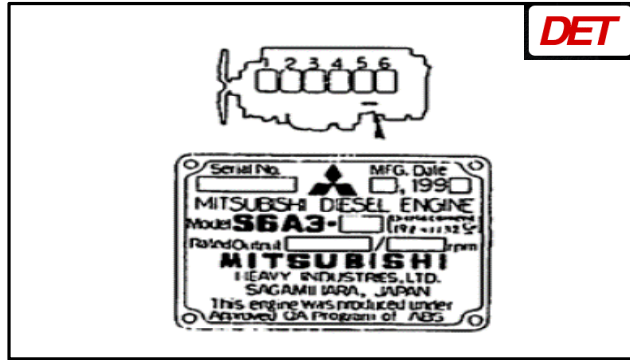
the engine serial number is located on the side of the crankcase.



S6A3 engine

the engine serial number is stamped on the nameplate attached to the left rear side of the engine.

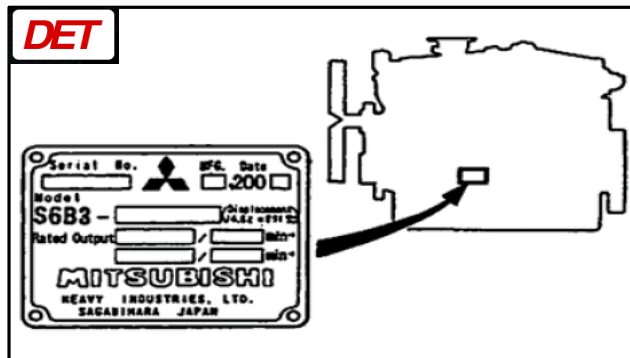
On the nameplate are also stamped the output and rated speed. The numbers in the illustrations show cylinder numbers.



S6B3 engine

the engine serial number is stamped on the nameplate attached to the left center side of the engine.

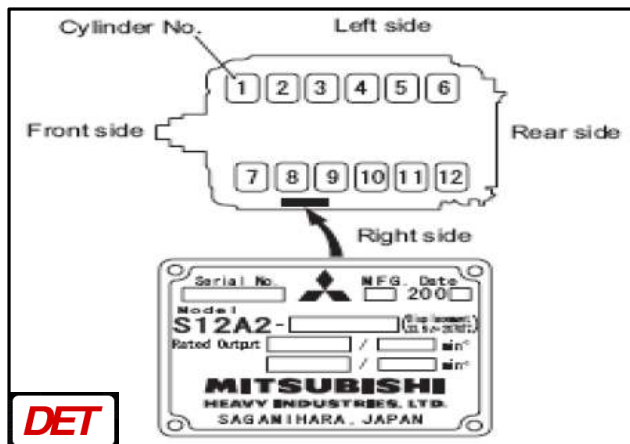
On the nameplate are also stamped the output and rated speed. The numbers in the illustrations show cylinder numbers.



S12A2 engine

the engine serial number is stamped on the nameplate attached to the lateral side of the engine.

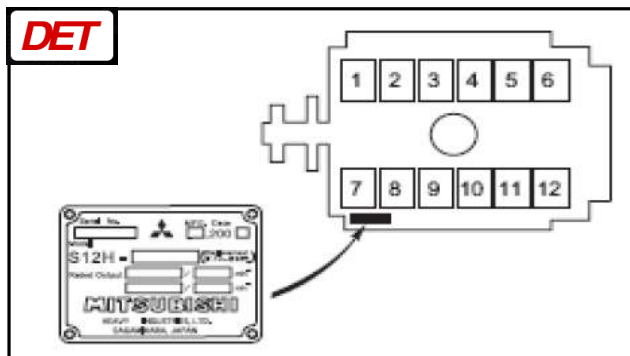
On the nameplate are also stamped the output and rated speed. The numbers in the illustrations show cylinder numbers.



S12H engine

the engine serial number is stamped on the nameplate lateral side of the engine.

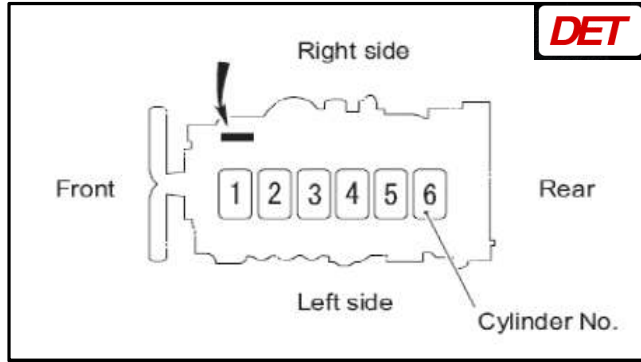
On the nameplate are also stamped the output and rated speed. The numbers in the illustrations show cylinder numbers.



SR series

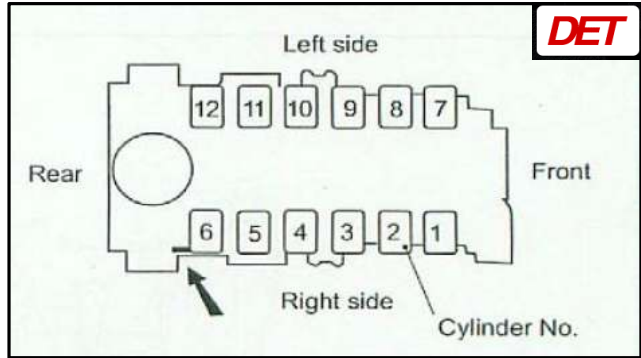
the S6R engine serial number is stamped on the nameplate and is located at the left front side of the engine.

On the nameplate are also stamped the output and rated speed. The numbers in the illustrations show cylinder numbers.



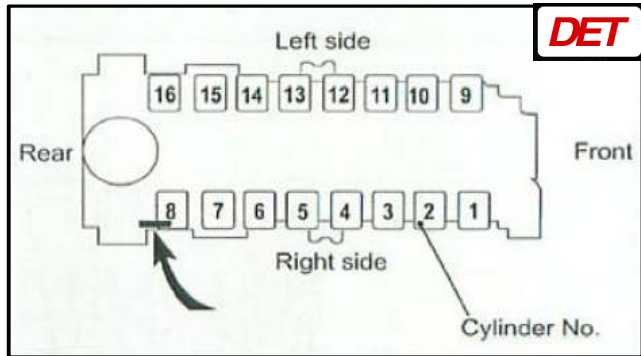
the S12R engine serial number is stamped on the nameplate and is located at the left front side of the engine.

On the nameplate are also stamped the output and rated speed. The numbers in the illustrations show cylinder numbers.



the S16R engine serial number is stamped on the nameplate and is located at the left front side of the engine.

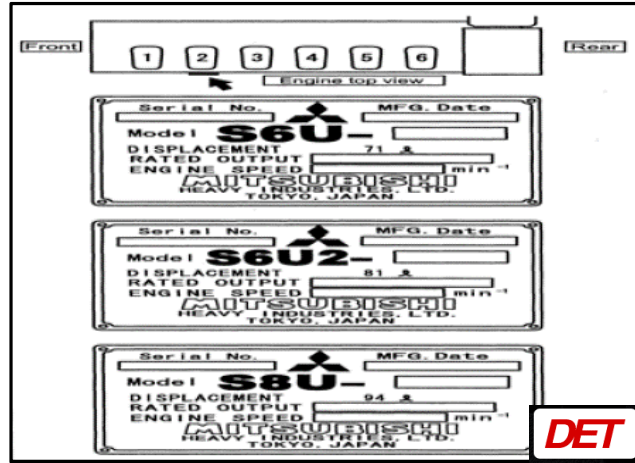
On the nameplate are also stamped the output and rated speed. The numbers in the illustrations show cylinder numbers.



SU - series

the S6U engine serial number is stamped on the nameplate and is located at the left side of the engine.

On the nameplate are also stamped the output and rated speed. The numbers in the illustrations show cylinder numbers.



the S12U and S16U engine serial number is stamped on the nameplate and is located at the left side of the engine.

On the nameplate are also stamped the output and rated speed. The numbers in the illustrations show cylinder numbers.

